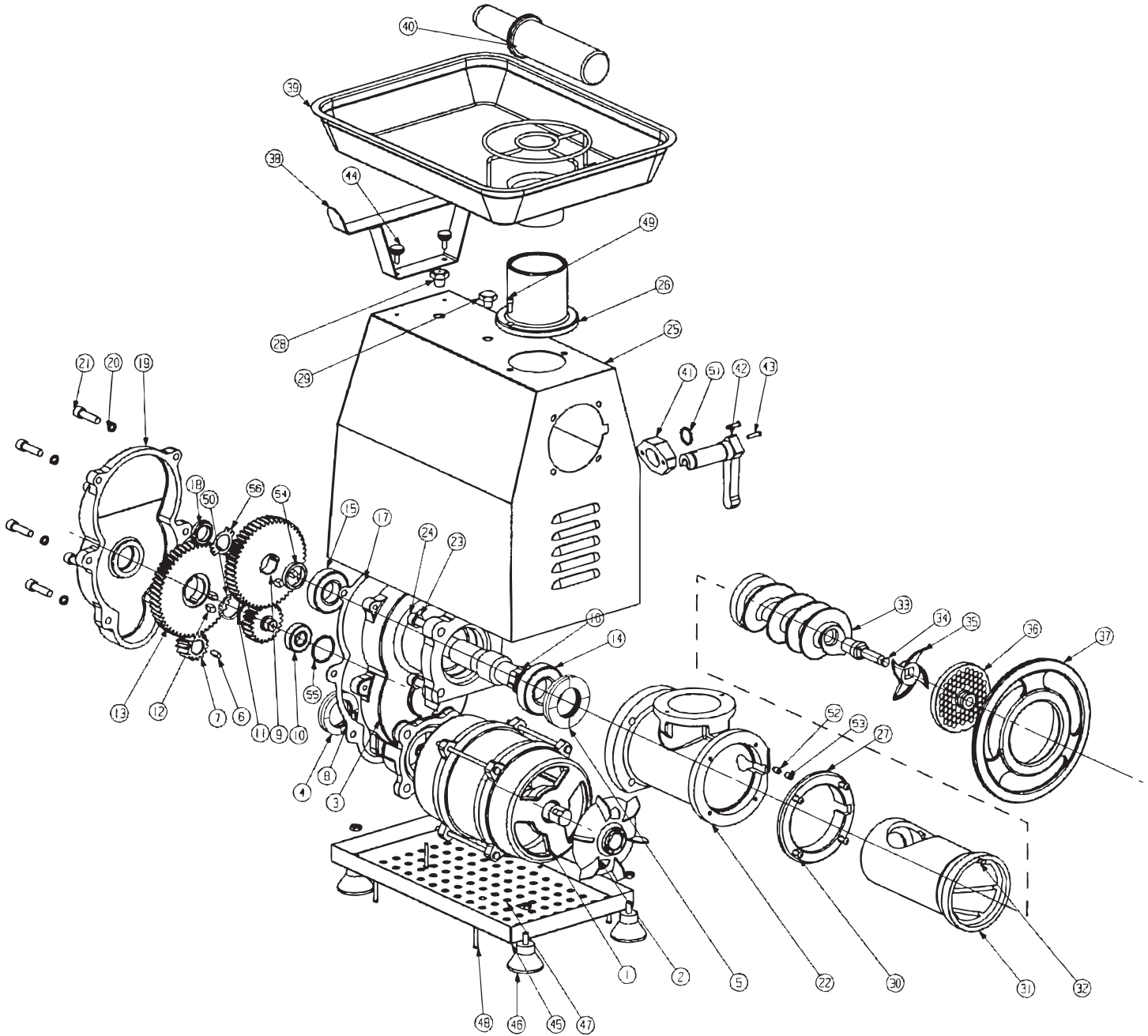


Parts Breakdown

Model MG-CN-0032-M 43628



Parts Breakdown

Model MG-CN-0032-M 43628

| Item No. | Description | Position | Item No. | Description | Position | Item No. | Description | Position |
|----------|--|----------|----------|---|----------|----------|--|----------|
| 79839 | Motor for 43628 | 1 | 79859 | M8x35 Bolt for 43628 | 21 | 79879 | Aluminum Pad for 43628 | 41 |
| 79840 | Fan of Motor for 43628 | 2 | 79860 | Aluminum Tee for 43628 | 22 | 79880 | Handle for 43628 | 42 |
| 79841 | Body of Gear Box for 43628 | 3 | 79861 | M12 Spring Washer for 43628 | 23 | 79881 | M5x20 Half Round Screw for 43628 | 43 |
| 79842 | 40x62x12 Oil Sealer for 43628 | 4 | 79862 | M12x40 Bolt for 43628 | 24 | 79882 | M6x15 Half Round Bakelite Screw for 43628 | 44 |
| 79843 | 42x75x12 Oil Sealer for 43628 | 5 | 79863 | Shell for 43628 | 25 | 79883 | Stainless Steel Underlay for 43628 | 45 |
| 79844 | 6x6x16 Flat Key for 43628 | 6 | 79864 | Aluminum Feeder for 43628 | 26 | 79884 | Rubber Foot Screw for 43628 | 46 |
| 79845 | #1 Gear-14 Teeth for 43628 | 7 | 79865 | Aluminum Washer for 43628 | 27 | 79885 | M8 Nut for 43628 | 47 |
| 79846 | 18.5x1 Spring of Shaft Lock for 43628 | 8 | 79866 | M14x12 Screw for 43628 | 28 | 79886 | M5x35 Half Round Screw for 43628 | 48 |
| 79847 | #4 Gear-51 Teeth for 43628 | 9 | 79867 | M12x10 Bolt for 43628 | 29 | 79887 | M6x19.5 Bolt for 43628 | 49 |
| 79848 | 6203-RZ Deep Groove Ball Bearing for 43628 | 10 | 79868 | M6x15 Half-Round Screw for 43628 | 30 | 79888 | 33x1 Spring of Shaft Lock for 43628 | 50 |
| 79849 | #3 Gear Shaft-22 Teeth for 43628 | 11 | 79869 | Tee for 43628 | 31 | 79889 | O-Ring Φ 20x2.5 for 43628 | 51 |
| 79850 | 8x7x16 Flat Key for 43628 | 12 | 79870 | 7x20 Meat Plate Positioning Pins for 43628 | 32 | 79890 | M8x12 Fasten Screw for 43628 | 52 |
| 79851 | #2 Bakelite Gear-53 Teeth for 43628 | 13 | 79871 | Worm for 43628 | 33 | 79891 | M8x10 Fasten Screw for 43628 | 53 |
| 79852 | 6207-RZ Deep Groove Ball Bearing for 43628 | 14 | 79872 | Worm Shaft for 43628 | 34 | 79892 | Bushing for 43628 | 54 |
| 79853 | 6206-RZ Deep Groove Ball Bearing for 43628 | 15 | 43570 | #32 Machine Knife for 43628 | 35 | 79893 | Waveform Washer for 43628 | 55 |
| 79854 | Output Shaft for 43628 | 16 | 43565 | ES #32 HS Plate with Hub 3/8 10mm Three Notches / Round for 43628 | 36 | 79894 | Anti-Moving Washer for Round Nut for 43628 | 56 |
| 79855 | Gear Box Paper Mat for 43628 | 17 | 79875 | Gate Cover for 43628 | 37 | 72277 | Microswitch for 43628 | |
| 79856 | M24x1.5 Nut for 43628 | 18 | 79876 | Support for 43628 | 38 | 63485 | On/Off Switch for 43628 | |
| 79857 | Gear Box Cover for 43628 | 19 | 79877 | Meat Tray for 43628 | 39 | | | |
| 79858 | M8 Spring Washer for 43628 | 20 | 79878 | Meat Pusher for 43628 | 40 | | | |